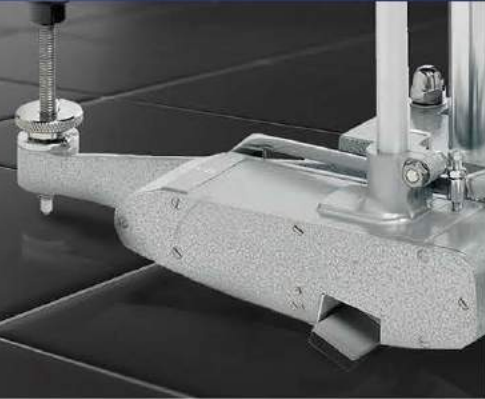


# BRITISH PENDULUM

## SLIP RESISTANCE TECHNOLOGY



The world's leading manufacturer of the British Pendulum Tester



The Pendulum Tester (also known as the Portable Skid Resistance Tester) is an essential tool for anyone with a duty to minimize the risk of accidents arising as a result of slippery floors and road surfaces.

- Measure the frictional resistance of any surface.
- Eliminate slip/skid hazards before they occur.
- Investigate the causes of accidents.





# PORTABLE SKID RESISTANCE TESTER

**Originally designed in the 1940s, the Portable Skid Resistance Tester remains one of the most reliable and useful tools for determining the frictional properties of pedestrian surfaces and roads.**

It is used extensively around the world by health and safety consultants, floor and tile manufacturers, material testing laboratories, highway agencies, expert witnesses, building maintenance companies and many more.



## Key Features

- Proven technology – preferred test method of the UK Slip Resistance Group (UKSRG)
- Easily transportable – suitable for field testing and laboratory use
- Compliant with all relevant international standards (including BS EN 13036-4, BS 7976, BS EN 1097-8, ASTM E303 and AS/NSZ 4586)
- Robust construction – capable of providing several decades of service

## How it works

The Portable Skid Resistance Tester works according to the Izod principle. In operation, a pendulum of a known mass rotates about a vertical spindle. The head of the pendulum is fitted with a rubber slider which has a specific hardness and resilience. When released from a horizontal position, the pendulum head strikes the test surface with a constant velocity. The distance travelled by the pendulum after striking the surface is determined by the amount of friction. The Pendulum Test Value (PTV) can be read directly from the clearly engraved scale.

**Get in touch for more information**

T: +44 (0) 20 8551 7000

E: [info@munroinstruments.com](mailto:info@munroinstruments.com)

[www.munroinstruments.com](http://www.munroinstruments.com)

**labotronic™**





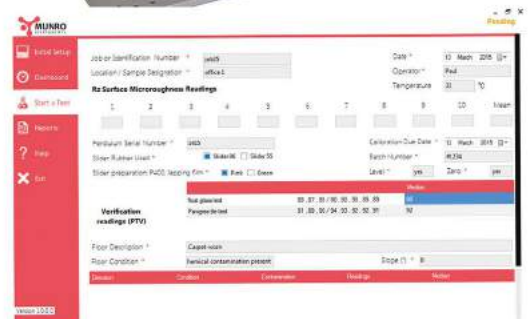
# INTELLIGENT PENDULUM

The Intelligent Pendulum offers enhanced performance in all aspects of measurement, data capture and reporting.

Building on the trusted mechanical design of its predecessor, the Intelligent Pendulum represents the very latest in slip resistance technology.

## Key Features

- The OLED digital display eliminates the risk of parallax error.
- On-screen instructions guide the user through each step of the test procedure ensuring correct use of the equipment.
- Measurements are sent wirelessly via Bluetooth from the device to a nearby laptop.
- Dedicated software generates test reports instantly.
- All data is stored for future recall.
- The time taken to conduct tests and issue reports is significantly reduced.





## BATH & SHOWER PENDULUM

.....

**Slips in the bath and shower are one of the most common causes of serious injury and fatality in the bathroom. This new product provides a useful and trusted method of assessing the slip risk posed by baths, shower trays and other confined spaces.**

It is an innovative slimline adaptation of our traditional Pendulum Tester. Three moveable vacuum pads provide total stability whilst eliminating the risk of damage to delicate surfaces.

### Key Features

- Based on an original design by Munro Instruments – unmatched in strength, accuracy and reliability.
- Elegant, slimline and intuitive.
- Excellent stability.
- Compliant with British and international standards.
- Also suitable for conventional use on roads, pavements and other surfaces.
- Retrofit your existing Pendulum Tester.

